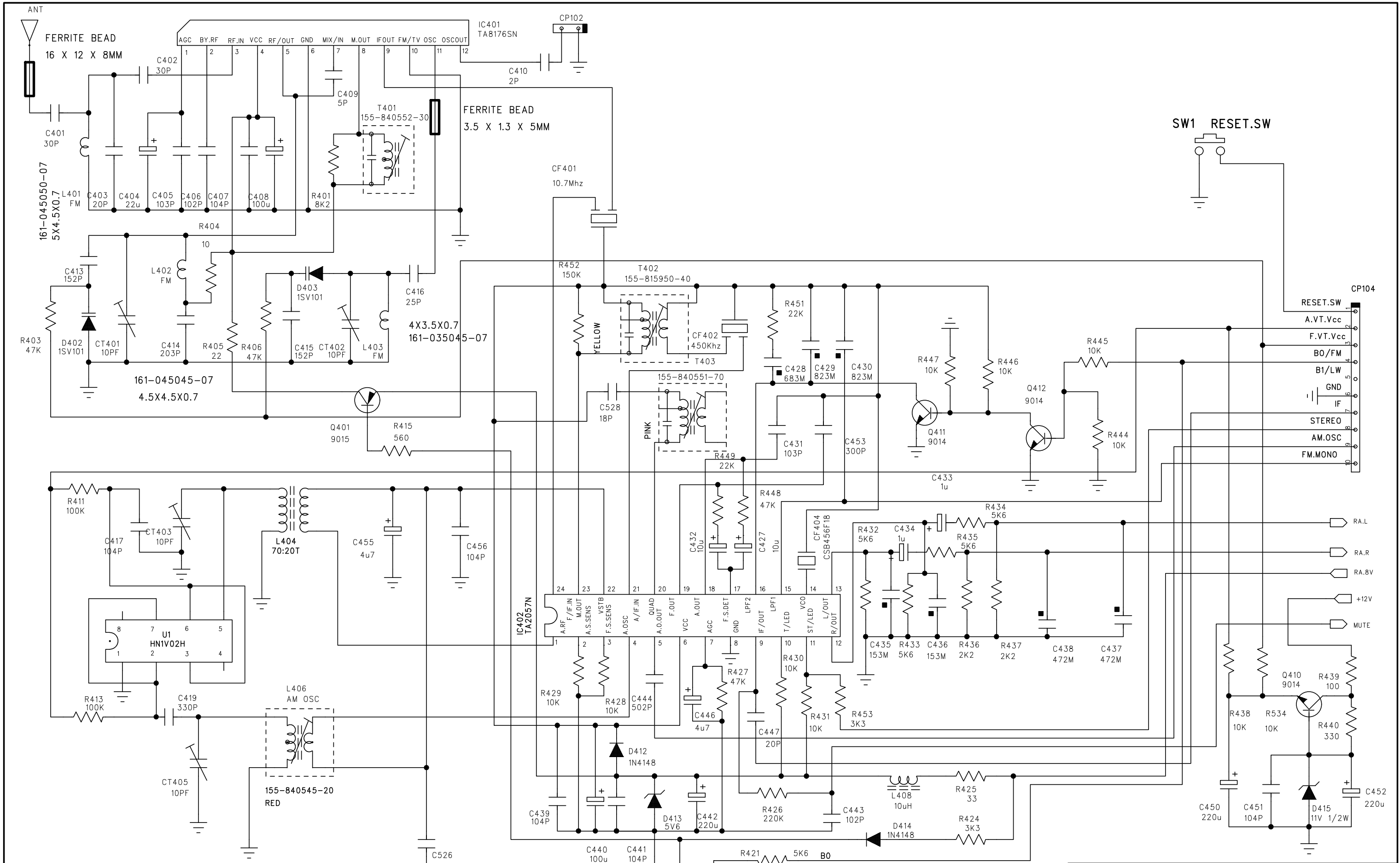


DRAWN:H.Y.H	
SCHEMATIC DIAGRAM	SHEET 1 OF 1
TITLE: FM/AM	
MODEL:888PLL	SIZE A3
DATE:JUL-23-2001	VER. : 1.0
NELSON ELECTRONIC CO., LTD.	

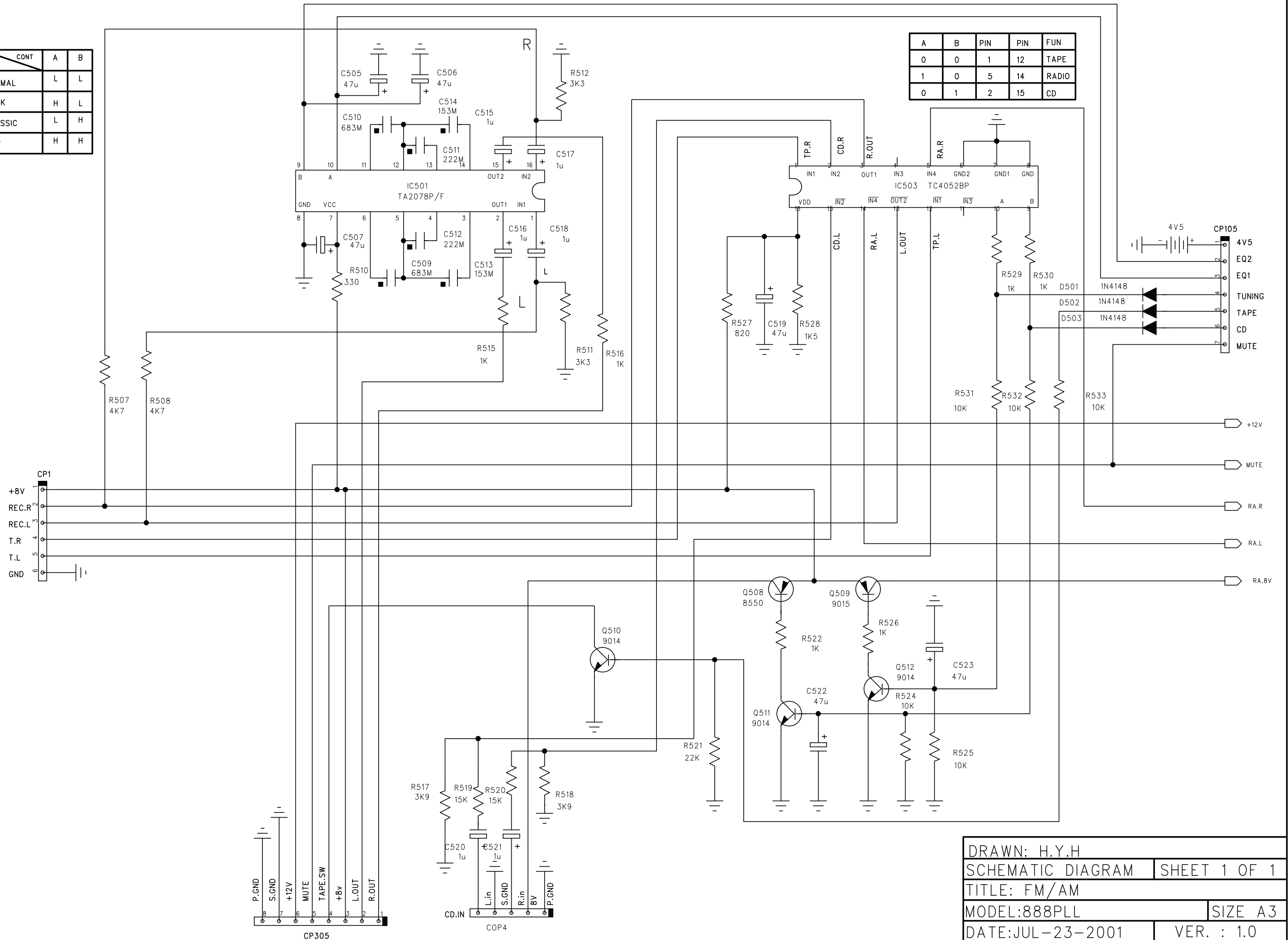


MW 1710KHz		L=2V-2.1V	
H=10.5-10.6V			
BAND	FM	MW	
FUN	B0	H	L
	B1	L	L
	VCC	L	H
	FM	3V1	8V
		3V2	8V1
	MW	2V	8.4V
		2.1V	8.5V

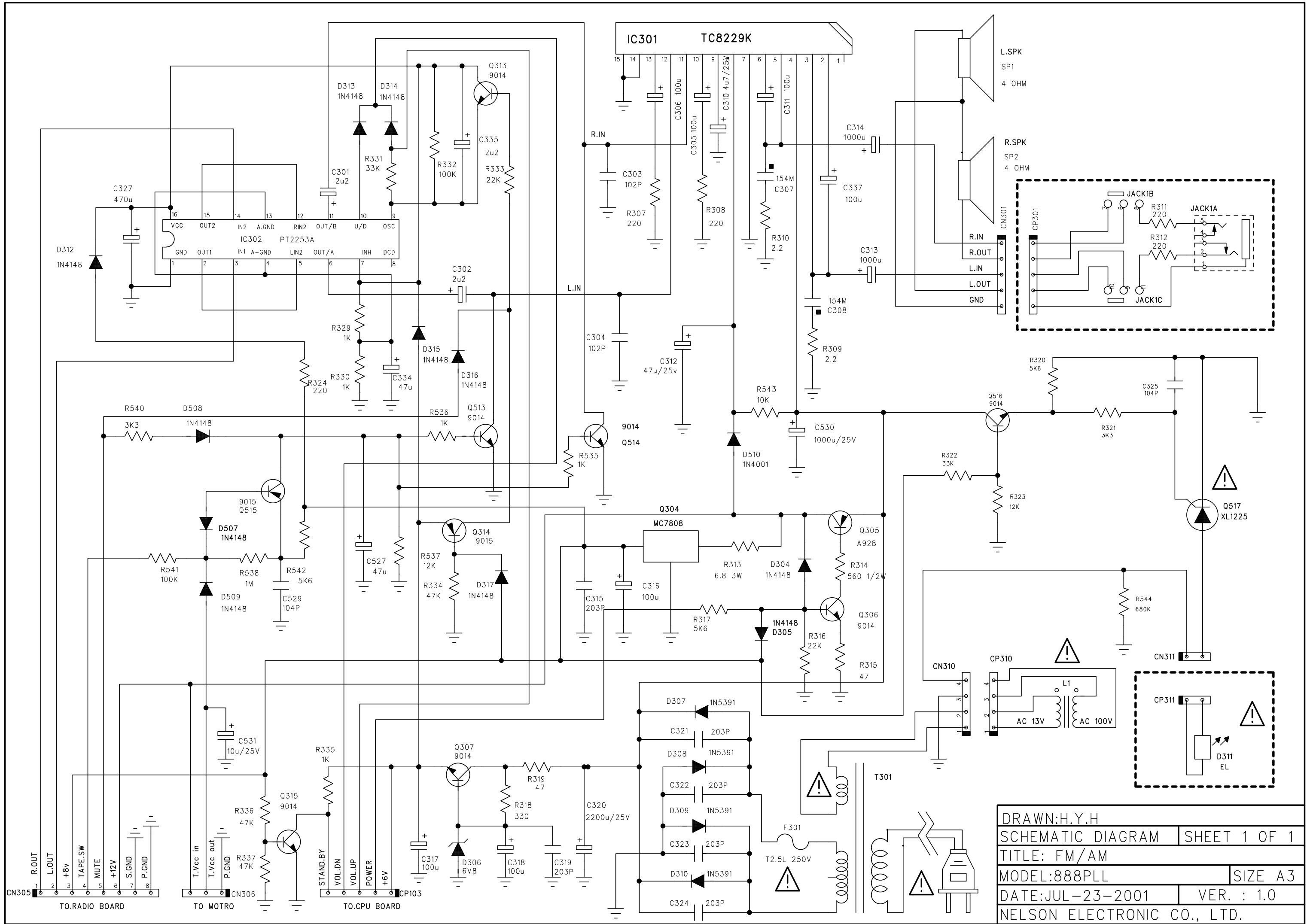
DRAWN:H.Y.H
 SCHEMATIC DIAGRAM SHEET 1 OF 1
 TITLE: FM/AM
 MODEL:888PLL SIZE A3
 DATE:JUL-23-2001 VER. : 1.0
 NELSON ELECTRONIC CO., LTD.

MODE	CONT	A	B
NORMAL	L	L	L
ROCK	H	L	L
CLASSIC	L	H	H
POP	H	H	H

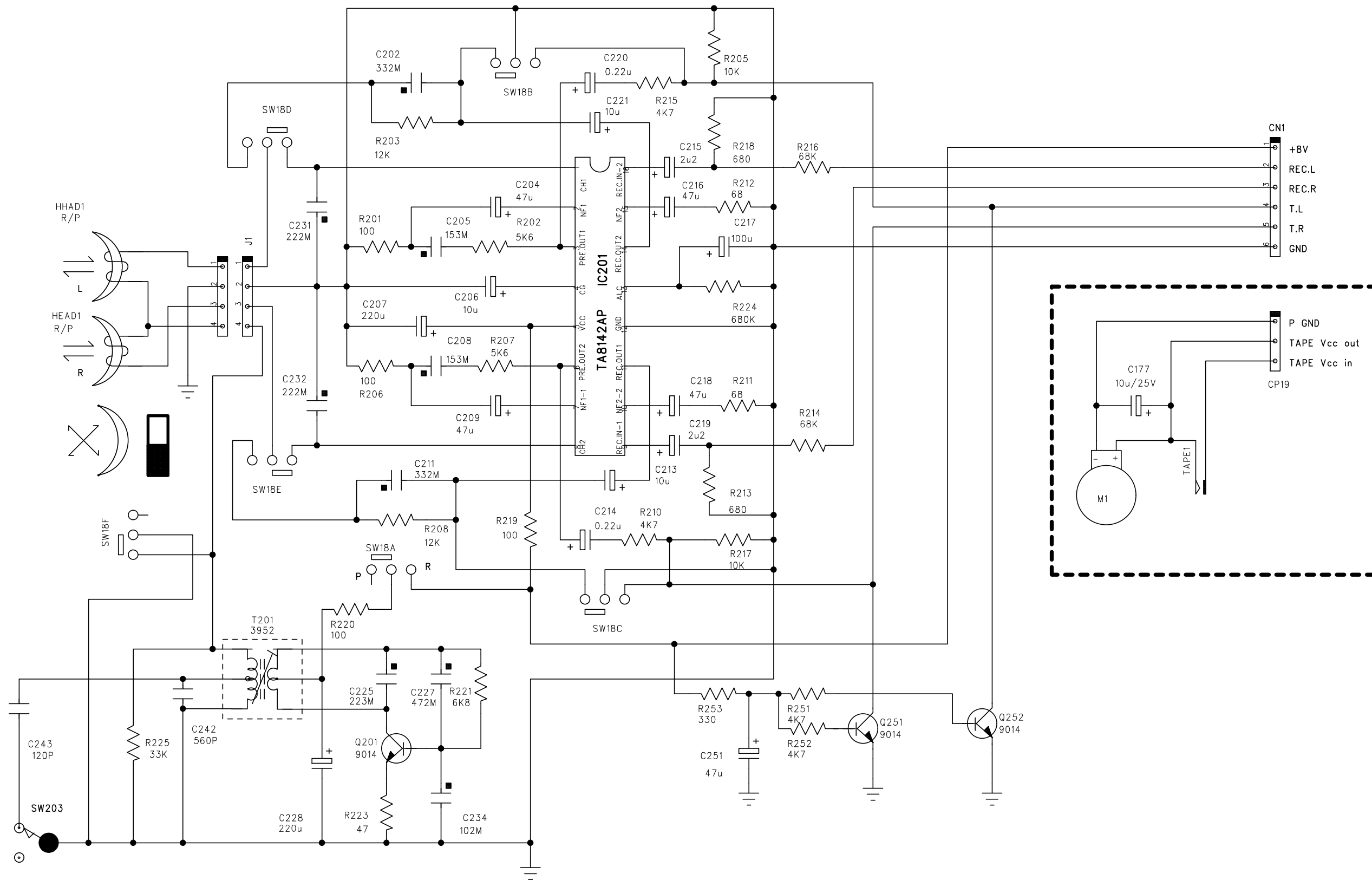
A	B	PIN	PIN	FUN
0	0	1	12	TAPE
1	0	5	14	RADIO
0	1	2	15	CD



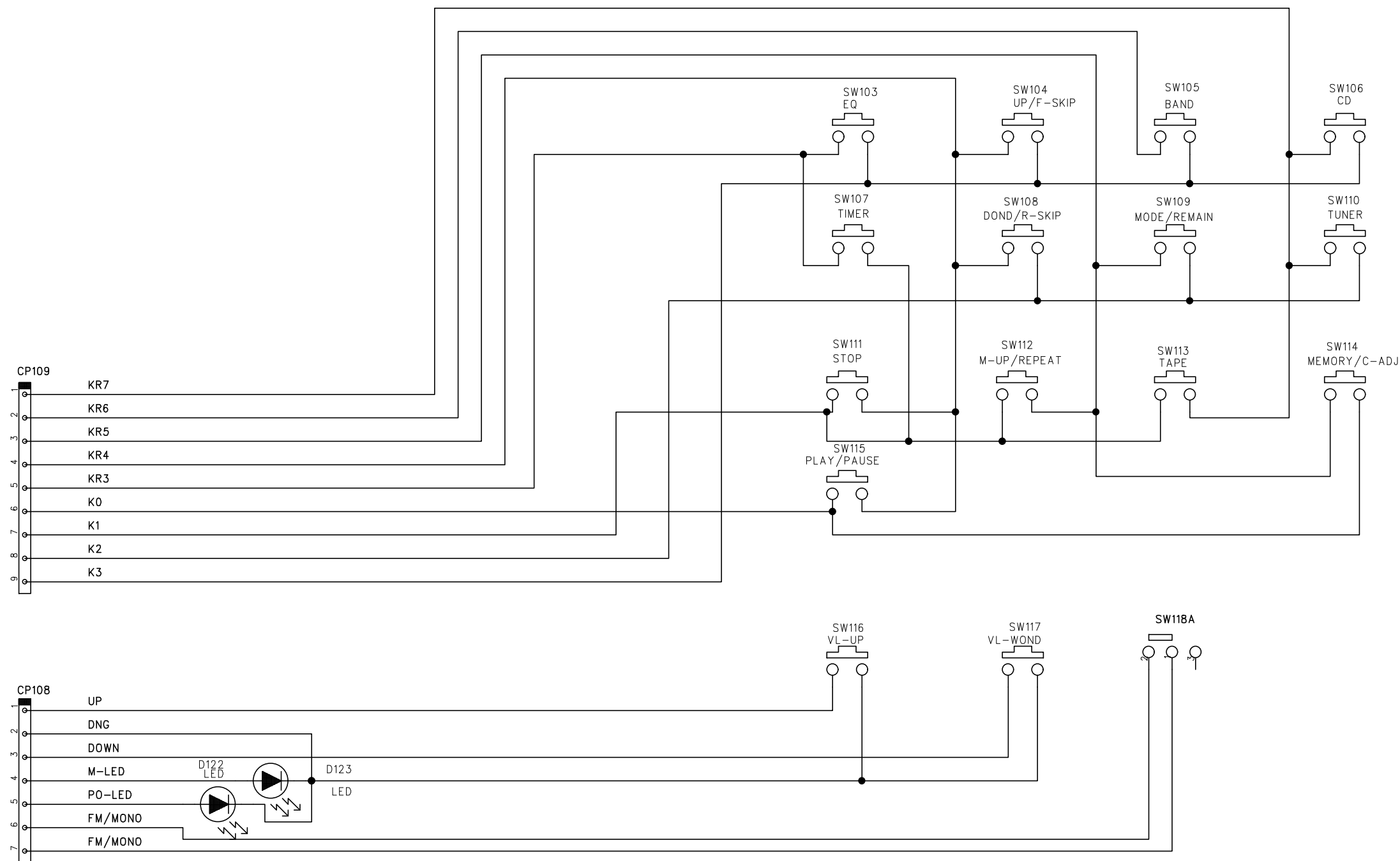
DRAWN: H.Y.H	
SCHEMATIC DIAGRAM	SHEET 1 OF 1
TITLE: FM/AM	
MODEL:888PLL	SIZE A3
DATE:JUL-23-2001	VER. : 1.0
NELSON ELECTRONIC CO., LTD.	



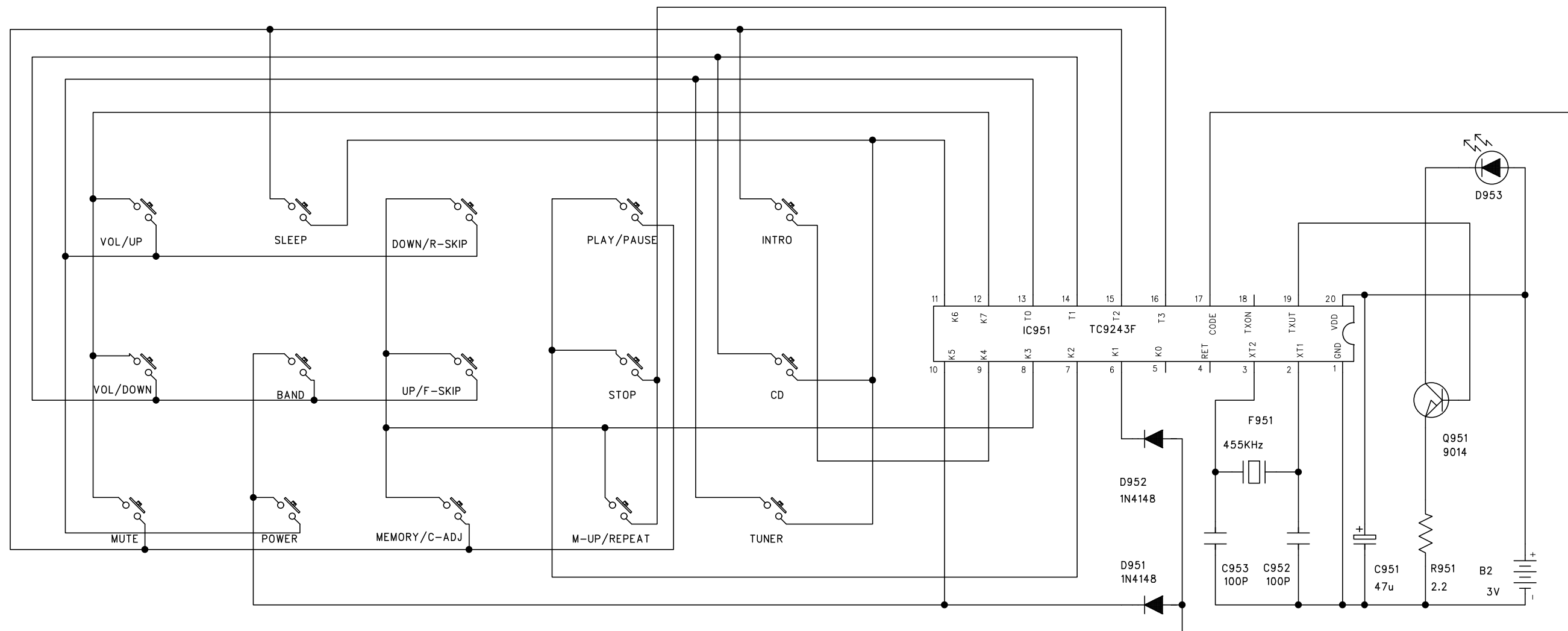
DRAWN:H.Y.H	
SCHEMATIC DIAGRAM	SHEET 1 OF 1
TITLE: FM/AM	
MODEL:888PLL	SIZE A3
DATE:JUL-23-2001	VER. : 1.0
NELSON ELECTRONIC CO., LTD.	



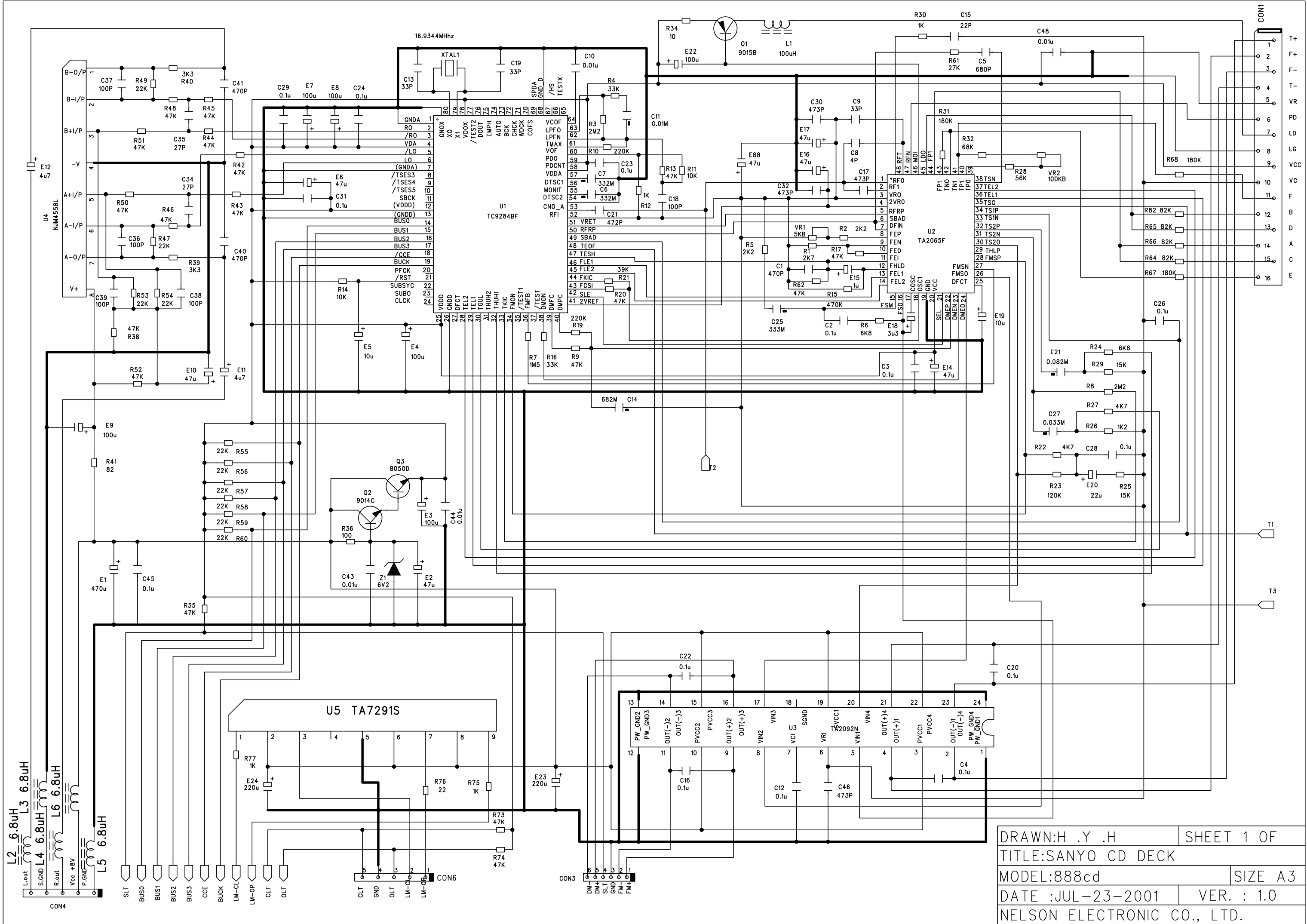
DRAWN:H.Y.H	
SCHEMATIC DIAGRAM	SHEET 1 OF 1
TITLE: FM/AM	
MODEL:888PLL	SIZE A3
DATE:JUL-23-2001	VER. : 1.0
NELSON ELECTRONIC CO., LTD.	



DRAWN:H.Y.H	
SCHEMATIC DIAGRAM	SHEET 1 OF 1
TITLE: FM/AM	
MODEL:888PLL	SIZE A3
DATE:JUL-23-2001	VER. : 1.0
NELSON ELECTRONIC CO., LTD.	



DESIGN BY :H.Y.H	
SCHEMATIC DIAGRAM	SHEET 1 OF 1
TITLE :FM/AM	
MODEL NUMBER :888PLL	SIZE A3
DATE :JUL-23-2001	VER. : 1.0
NELSON ELECTRONIC CO., LTD.	



DRAWN:H .Y .H	SHEET 1 OF
TITLE:SANYO CD DECK	
MODEL:888cd	SIZE A3
DATE :JUL-23-2001	VER. : 1.0
NELSON ELECTRONIC CO., LTD.	